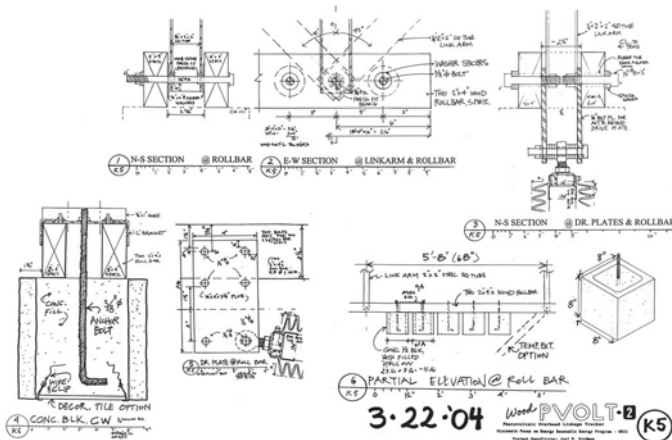
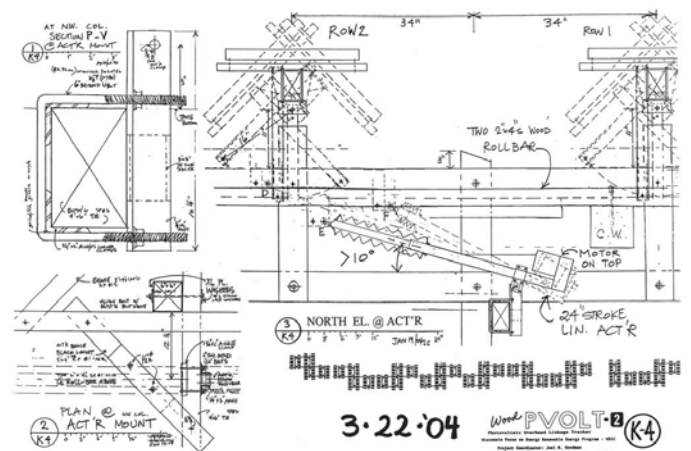
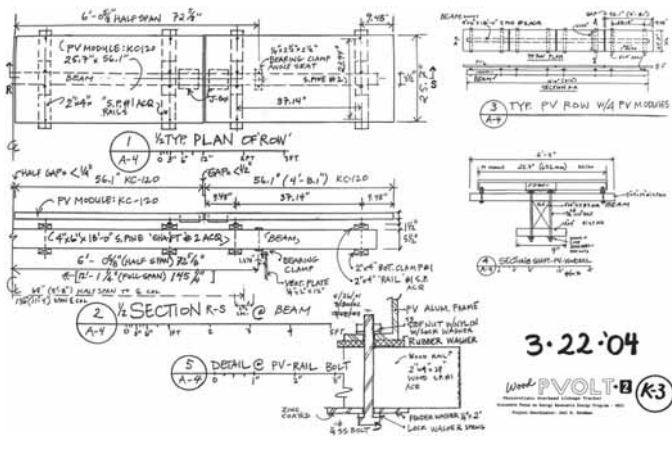
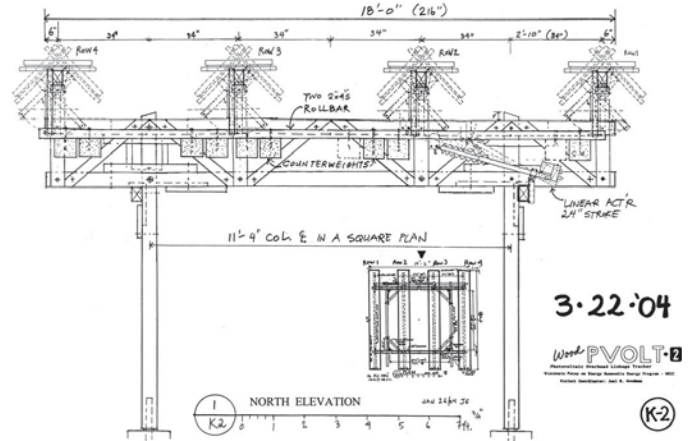
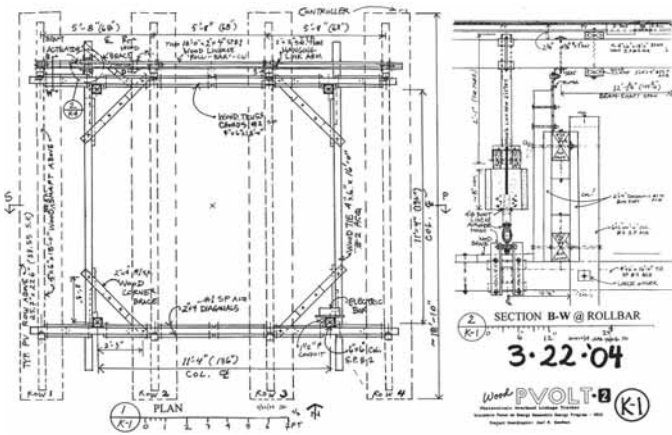




PVO Pergolas

4 ROW WOOD PVOLT



Wood PVOLT (PV Overhead Linkage Tracker) during 2001 demonstration installation

Photo by C. Hulet

These plans are presented for general information, and not for installation without appropriate approvals and permits.



Joel H. Goodman, Consulting
P.O. Box 14
Dodgeville, WI 53533
E-mail: joelhgoodman9@hotmail.com

www.PVO-Pergolas.com

Funded in part by the Wisconsin Focus on Energy Program